

FEATURES 特徴

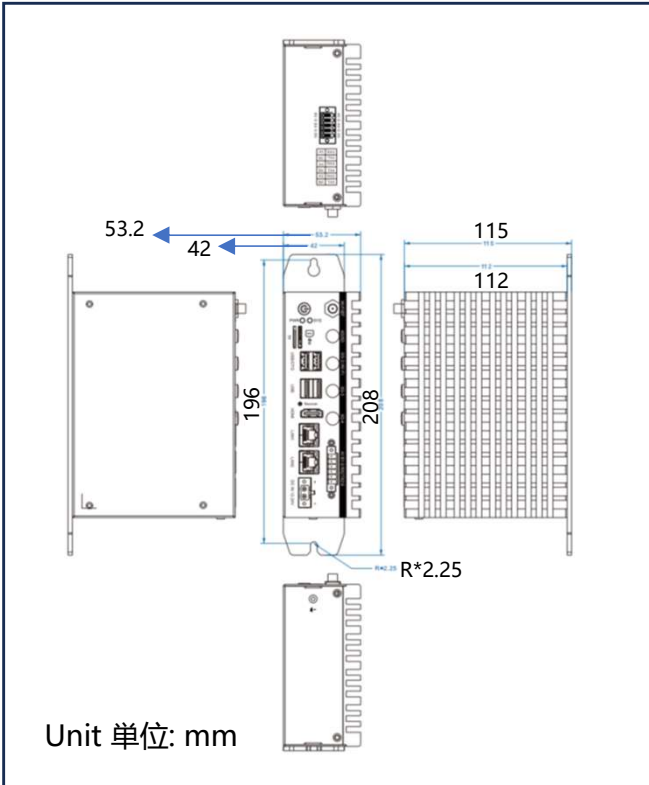
- Rockchip RK3576/RK3588
- Rich I/O interfaces and exquisite appearance
- DC12~24V Power supply
- Fanless design, aluminum profile heat dissipation
- Support wall-mounted or DIN-Rail fixing style
- Wide operating temperature -20 ~ 70°C supported



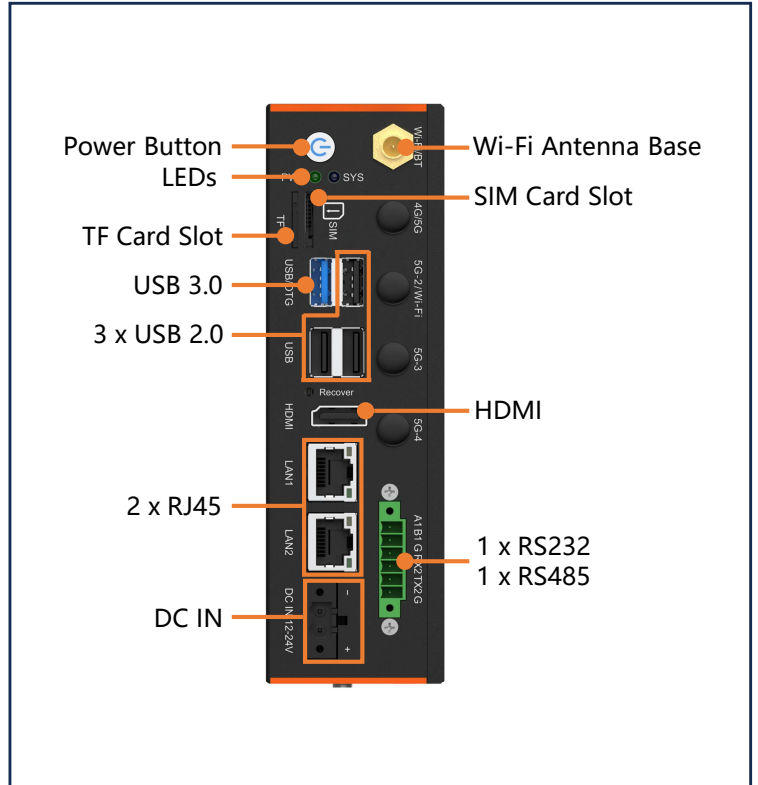
SPECIFICATION | 仕様

	Model 型番	BC101-A6	BC101-A8
System システム	CPU	Rockchip RK3576 8-core 4*Cortex-A72+4*Cortex-A53 up to 2.2GHz	Rockchip RK3588 8-core 4*Cortex-A55+4*Cortex-A76 up to 2.4GHz
	GPU	G52 MC3	Mali-G610 MC4
	NPU	6TOPS (INT8)	6TOPS (INT8)
	Memory メモリ	Onboard LPDDR4 4GB	
	Storage ストレージ	Onboard 32GB eMMC	
	TF	1 x TF card slot, supporting storage expansion	
	Mini-PCIe	1 x Mini-PCIe slot Support mSATA SATA 3.0 SSD (RK3588 support, Reuse with 4G/ Wi-Fi 6)	
	SATA 3.0	1 x SATA 3.0, Support mSATA SATA 3.0 SSD (RK3576/RK3588 support)	
I/O	Network	>2 x 10/100/1000Mbps RJ-45 Ethernet Interface >On board 2.4G/5G Wi-Fi, support Wi-Fi 802.11 a/b/g/n/ac protocol +Bluetooth 5.0 >1 x Mini-PCIe slot, support LTE 4G/Wi-Fi 6 modules (Optional) >1 x M.2, support 5G modules (Optional)	
	USB	3 x USB2.0 , 1 x USB3.0 (OTG multiplexing)	
	COM	1 x RS485 ,1 x RS232, 3.5mm spacing 6PIN terminal 1 x 3RS232/485 modules, 3-channel RS232 or RS485 can be configured I/O(Optional)	
	SIM	1 x Micro SIM card slot	
	LED	1 x Power LED (green on) ,1 x System LED (blue on)	
	HDMI	1 x HDMI interface, supporting up to 4K (3840*2160)/8K (7680*4320 RK3588) output	
OS	Button	1 x Recover flashing button, 1 x Power button	
	Android	Android 14	Android 13
Power 電源	Linux	Debian 12、Ubuntu 22 .04	Debian 11、Ubuntu 20.04
	Voltage Input 入力電圧	DC 12~24V ±10%, overcurrent, overvoltage and polarity inverse protection 過電流、過電圧および極性反転保護	
Certification 認証	Power Consumption 電力消費	≤ 20W	
	EMC	CE/FCC Class A	
Physical 型式①	Dimension 外形寸法	156mm x 112mm x 53.2mm (excluding bracket)	
	Net Weight 体重	1.5Kg	
Environment 環境	Operating Temp 使用周囲温度	-20 ~ 70°C	
	Storage Temp 保存周囲温度	-40 ~ 80°C	
	Humidity 作動湿度	5~95% @40° (non-condensing 凝結なし)	
	Vibration 振動	SSD applied:1.5Grms,IEC 60068-2-64,random,5~500Hz,1 hr/axis	
Impact 衝撃	20G peak acceleration(11ms duration) with SSD, Follow IEC60068-2-27		

DIMENSIONS 外形寸法



INTERFACE インターフェース



ORDER INFORMATION 注文情報

Product 製品	Description 説明
BC101-A6-3576-4G32	RK3576, 4GB memory,32GB eMMC, DC IN 12~24V, 2*GLAN,3*USB2.0 1*USB3.0,1*RS232 1*RS485 3*RS232/485(Optional)/1*2.4G/5G Wi-Fi,1*Mini-PCle support LTE 4G/Wi-Fi 6,1*M.2 support 5G, Operation temperature: -20°C~70°C
BC101-A6-3576-8G64	RK3576, 8GB memory,64GB eMMC, DC IN 12~24V, 2*GLAN,3*USB2.0 1*USB3.0,1*RS232 1*RS485 3*RS232/485(Optional)/1*2.4G/5G Wi-Fi,1*Mini-PCle support LTE 4G/Wi-Fi 6,1*M.2 support 5G, Operation temperature: -20°C~70°C
BC101-A6-3588-4G32	RK3588, 4GBmemory,32GBeMMC, DC IN 12~24V, 2*GLAN,3*USB2.0 1*USB3.0,1*RS2321*RS4853*RS232/485(Optional)/1*2.4G/5G Wi-Fi,1*Mini-PCle support LTE 4G/Wi-Fi6,1*M.2support 5G, Operation temperature: -20°C~70°C
BC101-A6-3588-8G64	RK3588, 8GBmemory,64GBeMMC, DC IN 12~24V, 2*GLAN,3*USB2.0 1*USB3.0,1*RS2321*RS4853*RS232/485(Optional)/1*2.4G/5G Wi-Fi,1*Mini-PCle support LTE 4G/Wi-Fi6,1*M.2support 5G, Operation temperature: -20°C~70°C

OPTIONS 構成オプション

Product 製品	Description 説明
Power Adapter WiFi external antenna	KPL-040F-v1 40W adapter kit , DC out 12V, with national standard power cord Glue stick antenna, suction cup 3M antenna
mSATA SSD	128GB, 256GB, 512GB, 1TB
SATA 3.0 SSD	128GB, 256GB, 512GB, 1TB
Wi-Fi Kit Wi-Fiキット	Mini PCIE Wi-Fi Set kit (BL-M8852BP3) , support Wi-Fi 802.11 a/b/g/n/ac/ax protocol +Bluetooth 5.2
3G/4GModule kit	Mini PCIE, EC20, EG25, EC25
5G Module kit	M.2 Set kit (Quectel_RM500U)
3RS232/485module kit	RS232 or RS485 can be configured
Installation 取り付け方法	DIN-Rail レール式設置